

MONOPOINT LVS INTERNATIONAL CM2 HANG STRAIGHT

An innovative solution for sloped ceilings, this monpoint “hang straight” can suspend with a rigid stem up to 4’ in length, for ceiling pitches up to 45° while still allowing for a full 90° tilt.

PROJECT NAME:	TYPE:
---------------	-------



ORDERING INFORMATION - MONOPOINT

CYLINDER	LENGTH	FIXTURE	BODY FINISH	BAFFLE FINISH	STEM FINISH	CRI / WATTAGE PACKAGE	CCT	OPTIC (UGR)	DRIVER	MEDIA	MOUNTING
CM2		HS1									E
CM2 83mm	LENGTHS SL 3" Standard 24 24" 48 48" 24" AND 48" STEMS ARE FIELD CUTTABLE. 3" STANDARD LENGTH STEM IS MINIMUM LENGTH.	ADJUSTABLE DRY / DAMP HS1 Adjustable 90° Fixture Tilt, Max ceiling pitch 12/12 [45°]	POWDERCOAT WH White BK Black AB Architectural Bronze AG Satin Silver AU Cashmere Gold BB Burnt Bronze CF Custom Finish* <small>*(Consult Factory)</small> ALUMINA 01 Brushed Obsidian 02 Matte Obsidian 03 Brushed Dark Patinated Bronze 04 Matte Dark Patinated Bronze 05 Brushed Aged Aluminum 06 Matte Aged Aluminum 07 Brushed Cast Brass 08 Matte Cast Brass 09 Brushed Light Patinated Bronze 10 Matte Light Patinated Bronze ALUMINA NOT RECOMMENDED FOR EXTERIOR APPLICATIONS, FINISHES ARE NOT UV RATED	POWDERCOAT WH White BK Black AB Architectural Bronze AG Satin Silver AU Cashmere Gold BB Burnt Bronze CF Custom Finish* <small>*(Consult Factory)</small> ALUMINA CONSULT FACTORY FOR ALUMINA FINISHES	POWDERCOAT WH White BK Black AB Architectural Bronze AG Satin Silver AU Cashmere Gold BB Burnt Bronze CF Custom Finish* <small>*(Consult Factory)</small> ALUMINA CONSULT FACTORY FOR ALUMINA FINISHES	STATIC WHITE 80S11A 80+ CRI, 11 Watts Lumens Delivered - 1216 80S17A 80+ CRI, 17 Watts Lumens Delivered - 1843 90S11A 90+ CRI, 11 Watts Lumens Delivered - 1045 90S17A 90+ CRI, 17 Watts Lumens Delivered - 1583 97S11A 97+ CRI, 11 Watts Lumens Delivered - 918 97S17A 97+ CRI, 17 Watts Lumens Delivered - 1390 REMOTE STATIC WHITE 80S28B 80+ CRI, 28 Watts Lumens Delivered - 2756 90S28B 90+ CRI, 28 Watts Lumens Delivered - 2368 97S28B 97+ CRI, 28 Watts Lumens Delivered - 2079 WARM DIM 90W18A 90+ CRI, 18 Watts Incandescent Profile Lumens Delivered - 1140 Halogen Profile Lumens Delivered - 1128 SEE PAGE 3 FOR WARM DIM PROFILE COMPARISON.	24 2400K* <small>*(90+ CRI only)</small> 27 2700K 30 3000K 35 3500K 40 4000K 27 2700K 30 3000K 35 3500K* <small>*(Not available for 97+ CRI)</small> 40 4000K WL 2700K - 1800K WD 3000K - 1800K	10 10° (>19) 15 15° (<13) 20 20° (<10) 25 25° (<10) 40 40° (<10) 60 60° (<16) 15 15° (<13) 20 20° (<10) 25 25° (<10) 40 40° (<10) 60 60° (<16) 20 20° (<10) 25 25° (<10) 40 40° (<10) 60 60° (<13)	INTEGRAL IE Electronic ELV / TRIAC 220V-240V REMOTE IG eldoLED, SOLOdrive 0.1% 0-10V, LOG 120V-277V IN eldoLED, SOLOdrive 0.1% 0-10V, LIN 120V-277V ID eldoLED, SOLOdrive 0.1% DALI, LOG 120V-277V	STANDARD MEDIA 4 Soft Focus Lens 0 No Lens* <small>*(Standard with 10° optic, Not available for Warm Dim)</small> ALTERNATE MEDIA 2 Honeycomb Louver* <small>*(Not available for Warm Dim)</small> 3 Clear Glass Lens* <small>*(Not available for Warm Dim)</small> 5 Frosted Glass Lens 6 Frosted Soft Focus Lens 7 Frosted Linear Spread Lens S Soft Focus Lens w/ Honeycomb Louver F Frosted Glass Lens w/ Honeycomb Louver	E EXMP Export Mounting Plate. Features 83mm diameter canopy
						LUMENS DELIVERED REFLECT 3000K PAIRED WITH 20° OPTIC AND SOFT FOCUS LENS.			SEE PAGE 3 FOR UGR RATINGS		

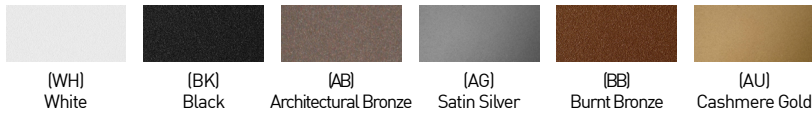
PART NUMBER NOTES

- CM2 ships as e.g., CM224HS1WHBKWH90S11*3040IE*4E
- Remote driver ships as e.g., PS-RMT-90S-28B-IG*

MONOPOINT INTERNATIONAL CM2 HANG STRAIGHT

FINISHES

POWDERCOAT FINISHES



ALUMINA FINISHES BY LUCIFER LIGHTING™



ACCESSORIES

REPLACEMENT MEDIA

HCL-CT2 Honeycomb Louver*
*(Not available for Warm Dim)

CGL-CT2 Clear Glass Lens*
*(Not available for Warm Dim)

SFL-CT2 Soft Focus Lens

FGL-CT2 Frosted Glass Lens

FSFL-CT2 Frosted Soft Focus Lens

FLSL-CT2 Frosted Linear Spread Lens

SECOND MEDIA GASKET

Replaces standard gasket when installing second media. Not required if two media are specified with fixture.

2EDG-CT2 Two Media Gasket

REPLACEMENT OPTICS

Interchangeable optics accessible by removing baffle.

Static White

- RO-70-15-S** 15° optic
- RO-70-20-S** 20° optic
- RO-70-25-S** 25° optic
- RO-70-40-S** 40° optic
- RO-70-60-S** 60° optic

Warm Dim

- RO-70-20-W** 20° optic
- RO-70-25-W** 25° optic
- RO-70-40-W** 40° optic
- RO-70-60-W** 60° optic

MONOPOINT INTERNATIONAL CM2 HANG STRAIGHT

PERFORMANCE - 3000K

LUMEN PACKAGE	WATTAGE	10° OPTIC NO SOFT FOCUS LENS		15° OPTIC SOFT FOCUS LENS		20° OPTIC SOFT FOCUS LENS		25° OPTIC SOFT FOCUS LENS		40° OPTIC SOFT FOCUS LENS		60° OPTIC SOFT FOCUS LENS	
		DELIVERED	LPW	DELIVERED	LPW	DELIVERED	LPW	DELIVERED	LPW	DELIVERED	LPW	DELIVERED	LPW
		80S11A	11	1022	93	1143	104	1216	111	1202	109	1124	102
80S17A	17	1382	81	1750	103	1843	108	1823	107	1690	99	1440	85
80S28B	28	-	-	2571	92	2756	98	2694	96	2529	90	2072	74
90S11A	11	881	80	982	89	1045	95	1033	94	966	88	815	74
90S17A	17	1191	70	1503	88	1583	91	1566	92	1452	85	1237	73
90S28B	28	-	-	2209	79	2368	85	2314	83	2193	78	1780	64
97S11A	11	760	69	862	78	918	83	907	82	848	77	716	65
97S17A	17	1028	60	1320	78	1390	82	1375	81	1275	75	1086	64
97S28B	28	-	-	1939	69	2079	74	2032	73	1908	68	1563	56
90W18AL (2700K-1800K)	18	-	-	-	-	1140	63	1128	63	1044	58	915	51
90W18AD (3000K-1800K)	18	-	-	-	-	1128	63	1126	63	1063	59	926	51

MEDIA LIGHT LOSS MULTIPLIER

MEDIA	LIGHT LOSS FACTOR
No Lens	1.05
CGL	0.97
SFL	1.00
FGL	0.85
FSFL	0.82
FLSL	0.78
HCL	0.75
SFL W/ HCL	0.68
FGL W/ HCL	0.47

OUTPUT MULTIPLIER

CCT	CCT SCALE
2400K	0.85
2700K	0.97
3000K	1.000
3500K	1.03
4000K	1.08

UNIFIED GLARE RATING

10° OPTIC NO LENS	15° OPTIC SOFT FOCUS LENS	20° OPTIC SOFT FOCUS LENS	25° OPTIC SOFT FOCUS LENS	40° OPTIC SOFT FOCUS LENS	60° OPTIC SOFT FOCUS LENS
>19	<13	<10	<10	<10	<16

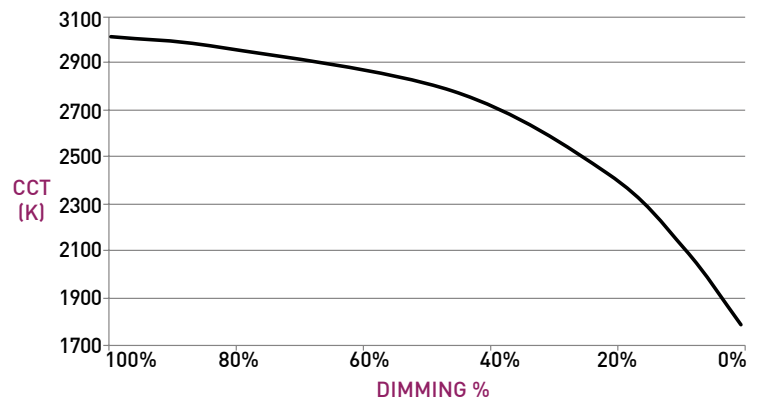
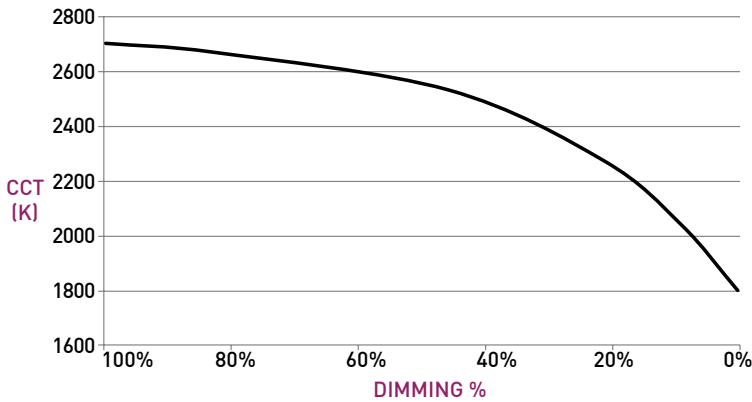
WARM DIM PERFORMANCE - SOFT FOCUS LENS - 20° OPTIC

INCANDESCENT DIMMING PROFILE

90W18AL 2700K - 1800K	Full on 100%	Dimmed to 80%	Dimmed to 70%	Dimmed to 50%	Dimmed to 20%	Dimmed to 10%	Dimmed to 2%
CCT (K)	2700	2650	2620	2520	2180	1950	1800
Light Output (Lm)	1128	902	790	564	226	113	23
Power (W)	18	14.4	12.6	9	3.6	1.8	0.36
Efficacy (LPW)	63	63	63	63	63	63	63

HALOGEN WARM DIM PROFILE

90W18AD 3000K - 1800K	Full on 100%	Dimmed to 80%	Dimmed to 70%	Dimmed to 50%	Dimmed to 20%	Dimmed to 10%	Dimmed to 2%
CCT (K)	3000	2950	2920	2775	2375	2000	1800
Light Output (Lm)	1140	912	798	570	228	114	23
Power (W)	18	14.4	12.6	9	3.6	1.8	0.36
Efficacy (LPW)	62	62	62	62	62	62	62

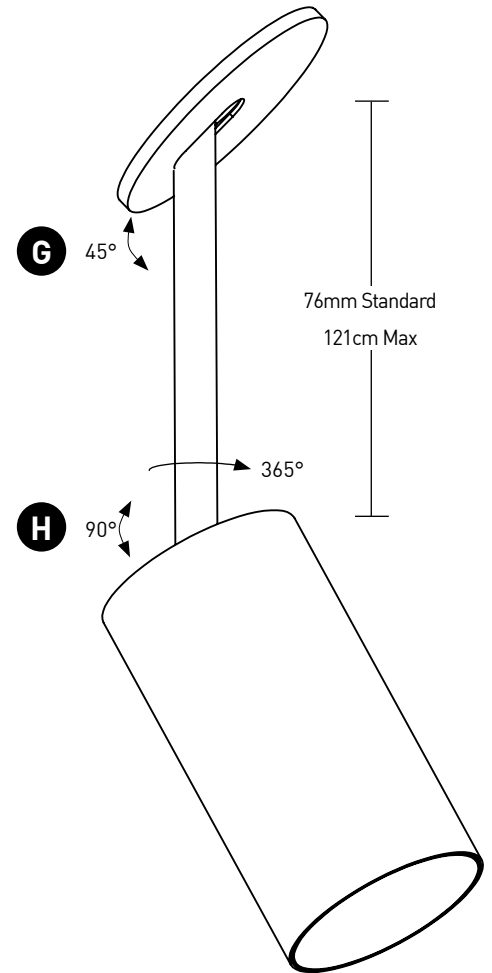
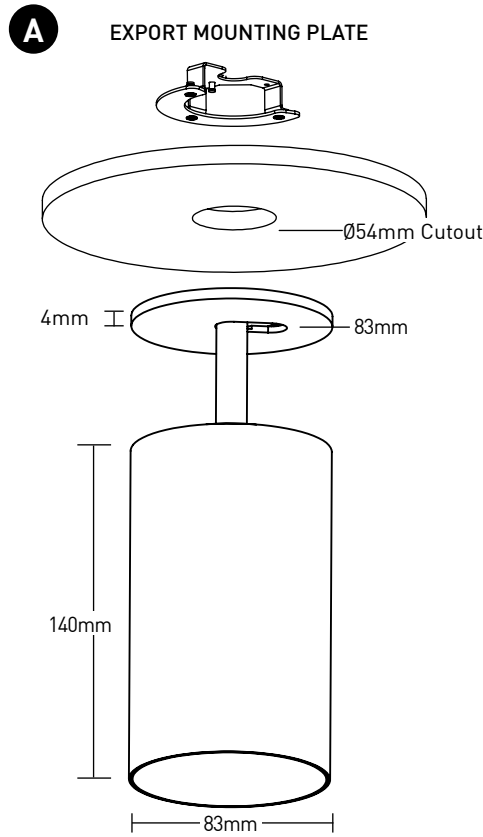


MONOPOINT INTERNATIONAL CM2 HANG STRAIGHT

MONOPOINT

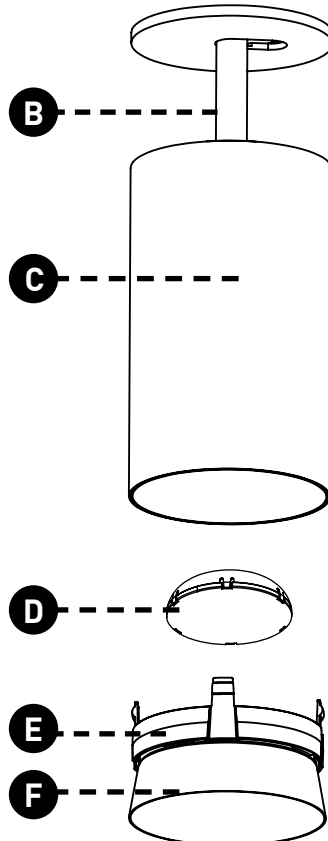
- A EXPORT MOUNTING PLATE**
Export mounting plate (concealed) to be installed above ceiling substrate. Features minimalist 83mm diameter canopy.
- B STEM**
Standard length is 3", also available in 24" and 48" lengths. All lengths excepts 3" are field cuttable. Powdercoat finishes standard, consult factory for Alumina finishes.
- C BODY**
Available in powdercoat and Alumina finishes. Power supply integrated into fixture body.
- D OPTICS**
Robust light engine with optimized optic pairing integrates Reflection, Refraction, and TIR offering 10°, 15°, 20°, 25°, 40° & 60° beams.
- E MEDIA**
Accepts 2 media; Soft Focus Lens standard.
- F BAFFLE**
Baffle minimizes aperture glare and conceals view into fixture. Powdercoat finishes standard, consult factory for Alumina finishes.
- G HANG STRAIGHT CANOPY**
Features hidden ball joint that accomodates installations on up to 12/12 (45°) sloped ceilings.
- H ADJUSTABILITY**
Features locking 90° tilt and 365° rotation. Stem features 45° tilt to accommodate up to 12/12 slopes.

DIMENSIONS / DRAWINGS

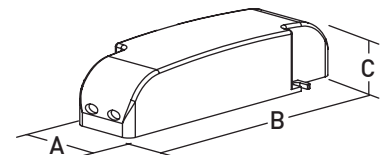


REMOTE POWER SUPPLY

- I** Remote power supply provides additional driver options. See page 5 for maximum allowable wiring distance. Must be installed in an accessible location.



I



POWER SUPPLY DIMENSIONS			
Model	A	B	C
IG			
IN	41mm	210mm	34mm
ID			

MONOPOINT INTERNATIONAL CM2 HANG STRAIGHT

TECHNICAL

CONSTRUCTION

Monopoint: Machined aluminum body; painted finishes are granulated powder coat; Alumina finishes are anodized aluminum.

STATIC WHITE LED

2-step MacAdam ellipse LED module available in 80+, 90+ and 97+ CRI configurations in color temperatures of 2700K, 3000K, 3500K and 4000K.

3-step MacAdam ellipse LED module available in 90+ CRI configurations in color temperature of 2400K. Average rated lamp life of 50,000 hours.

WARM DIM LED

3-step MacAdam ellipse warm dim LED module available in 90+ CRI configuration. 3000K or 2700K at full brightness, warming to 1800K at full dim. Average rated lamp life of 50,000 hours.

POWER SUPPLY PERFORMANCE AND DIMMING INFORMATION

Power Supply	PHASE		0-10V		DALI
	IE	IG	IN	ID	
Minimum °C	-20 °C	-20 °C	-20 °C	-20 °C	
Maximum °C	40 °C	40 °C	40 °C	40 °C	
Dimming %	2.0%	0.1%	0.1%	0.1%	

Note: For IG and IN drivers consult chart on page 6 to confirm appropriate dimming curve for compatibility with selected control.

MAXIMUM ALLOWABLE REMOTE DRIVER WIRING DISTANCES

DRIVER	WIRE AWG				
	12	14	16	18	20
IG, IN, ID	-	-	118'	72	46'

LISTING

Monopoints and drivers CE Listed for Dry / Damp and IP65 Wet locations. Integral drivers ENEC and CB Listed.

DECLARE

LBC Red List Approved.

LIMITED WARRANTY

Manufacturer's Limited Warranty guarantees product(s) listed to be free from defects in material and workmanship under normal use and service for 1-year. LED and power supplies are warranted to operate with 70% of original flux and remain within a range of 3 duv for a period of 5-years.

Warranty period begins from the date of shipment by Seller. [Consult website for full warranty terms and conditions.](#)

MONOPOINT INTERNATIONAL CM2 HANG STRAIGHT

DIMMING COMPATABILITY

eldoLED DRIVER COMPATIBILITY

Power supply IG Manufacturer	Family/Model #
Busch-Jaeger	2112U-101
Jung	240-10
Leviton Lighting Controls	IP710-DLX
Lightolier Controls	ZP600FAM120
Merten	5729
Pass & Seymour	CD4FB-W
The Watt Stopper	DCLV1
Synergy	ISD BC
Crestron®	GLX-DIMFLV8
Crestron®	GLXP-DIMFLV8
Crestron®	GLPAC-DIMFLV4-*
Crestron®	GLPAC-DIMFLV8-*
Crestron®	GLPP-DIMFLVEX-PM
Crestron®	GLPP-1DIMFLV2EX-PM
Crestron®	GLPP-1DIMFLV3EX-PM
Crestron®	DIN-A08
Crestron®	DIN-4DIMFLV4
Crestron®	CLS-EXP-DIMFLV
Crestron®	CLCI-1DIMFLV2EX
Power supply IN Manufacturer	Family/Model #
Lutron Electronics	Nova T® - NTFTV
Lutron Electronics	Diva® - DDTV
Lutron Electronics	Nova® - NFTV
Lutron Electronics	GrafixEye® GRX-TVI w GRX3503
Lutron Electronics	Energy Savr Node™ - QSN-4T16-S
Lutron Electronics	TVM2 Module
Sensor Switch	nIO EZ
ABB	SD/S 2.16.1